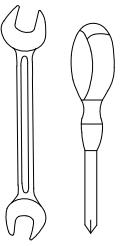
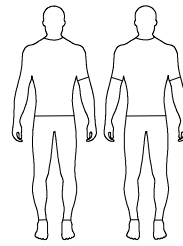
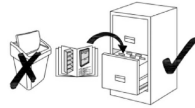
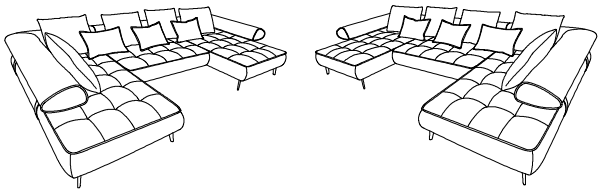
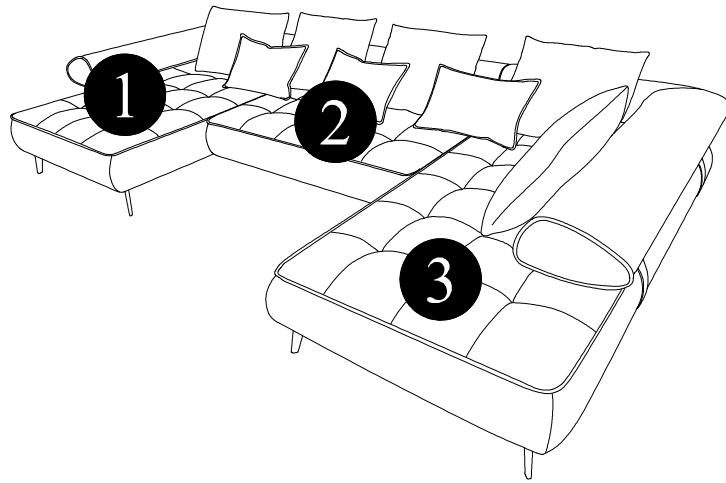


SELEDO

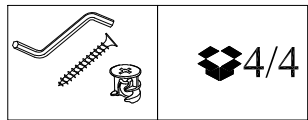
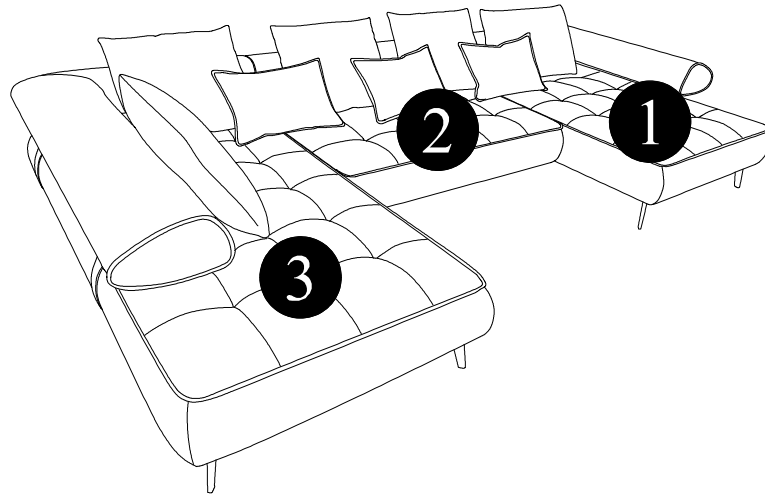


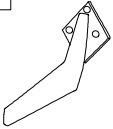
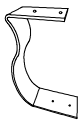





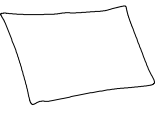
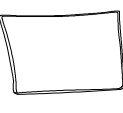

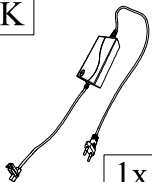

Teil	L	W	H	Pcs	Colli
1	163	123	55	1x	1/4
2	151	123	55	1x	2/4
3	219	111	55	1x	3/4

R



L

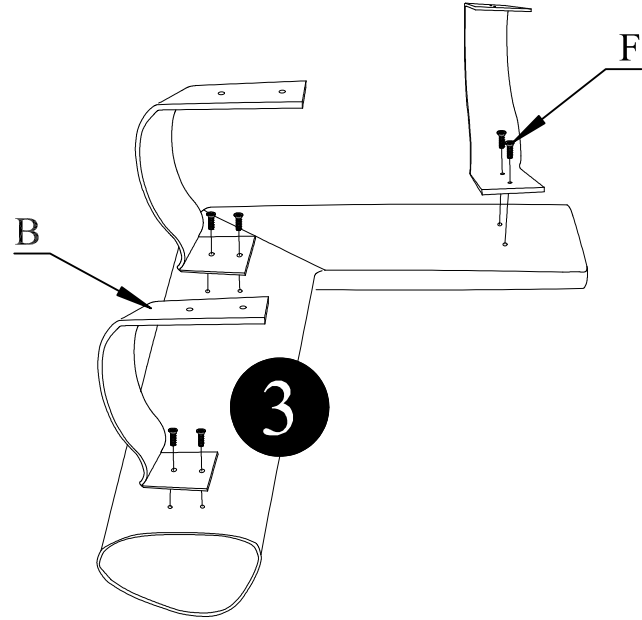
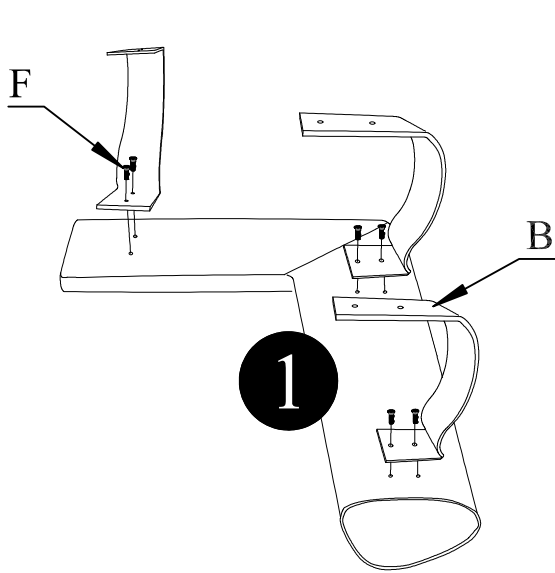


A  6x H-170	B  8x	C  4x H-170	D  16x M6	E  16x M6 X 60	F  16x M6 X 25	G  21x 5X30	H  1x 84x58	I  4x 69x59
J  3x 59x38	K  1x							

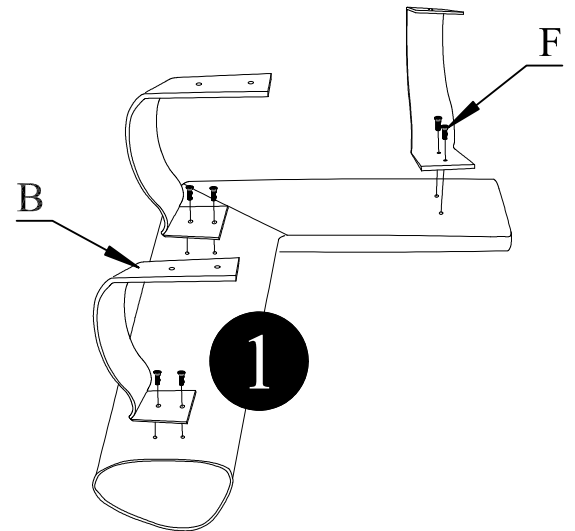
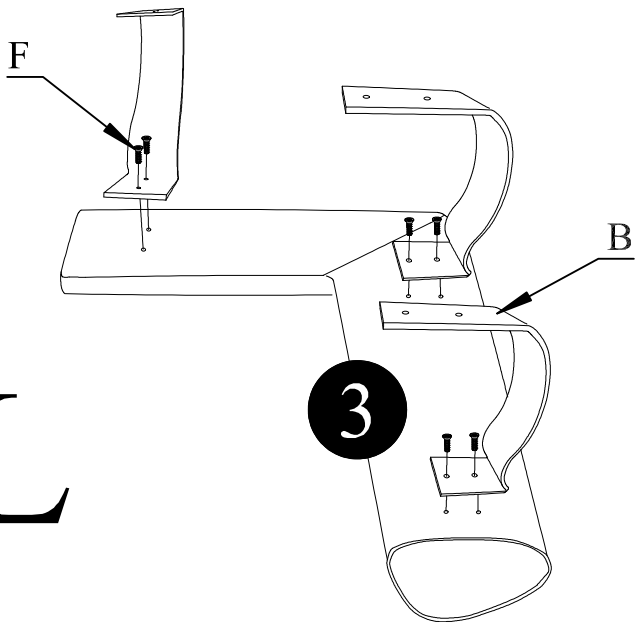
B	F
8x	16x
M6 X 25	

1

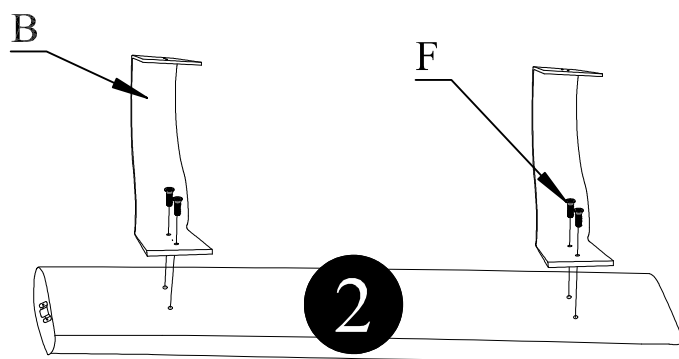
R




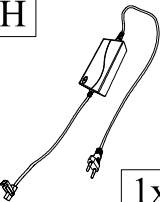


L



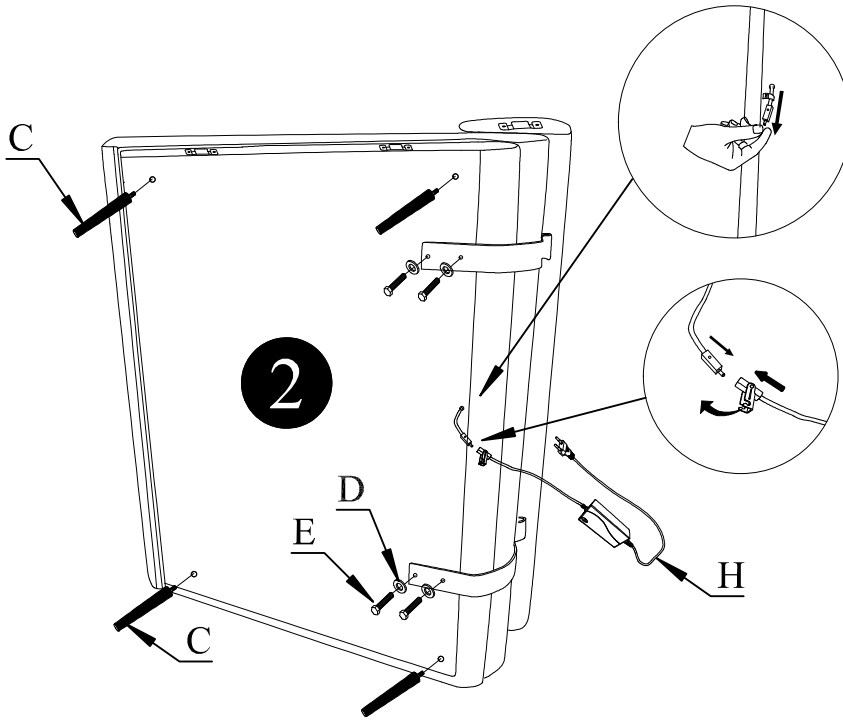
RL

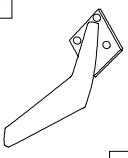

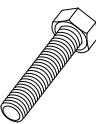



C	D	E	H
			
4x	4x	4x	1x
H-170	M6	M6 X 60	

LR

2

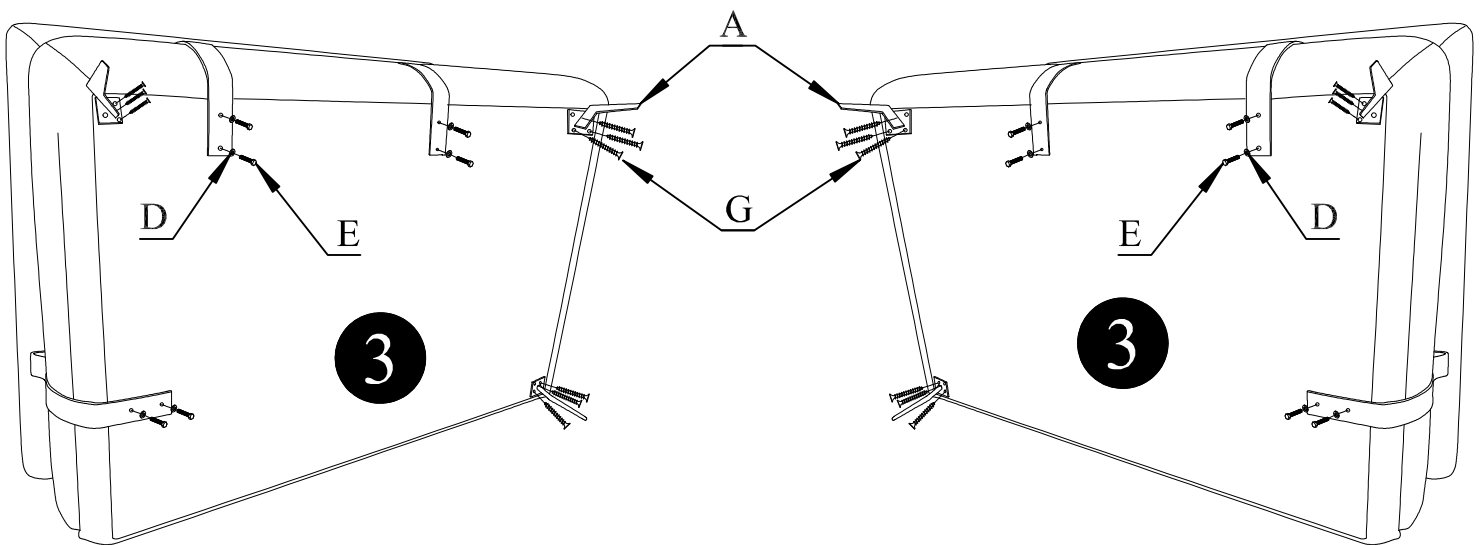


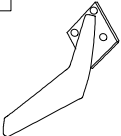

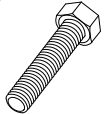
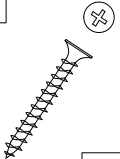
A	D	E	G
			
3x	6x	6x	9x
H-170	M6	M6 X 60	5x30

R

3

L

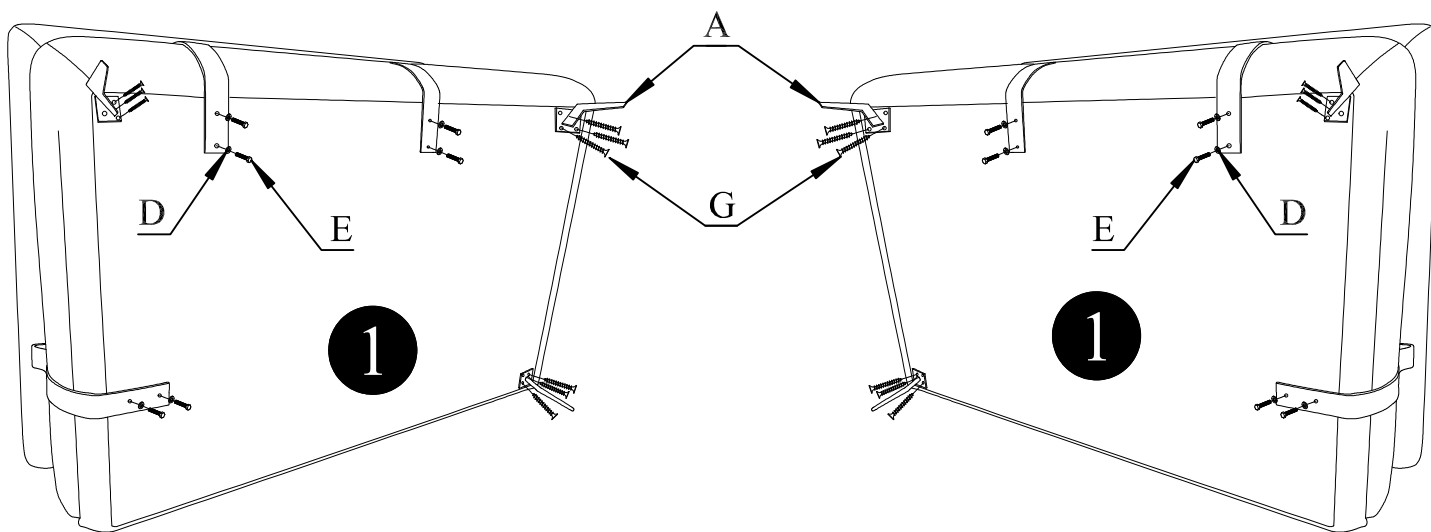


<p>A</p>  <p>3x</p>	<p>D</p>  <p>6x</p>	<p>E</p>  <p>6x</p>	<p>G</p>  <p>9x</p>
<p>H-170</p>	<p>M6</p>	<p>M6 X 60</p>	<p>5x30</p>

L

4

R



5

